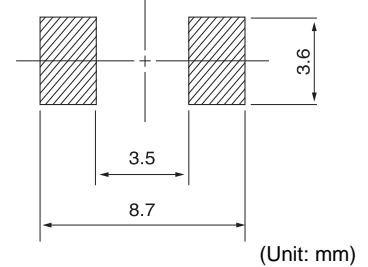
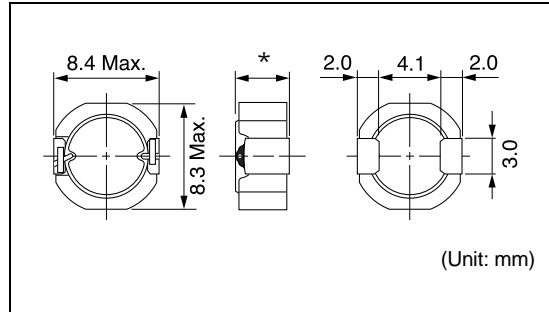
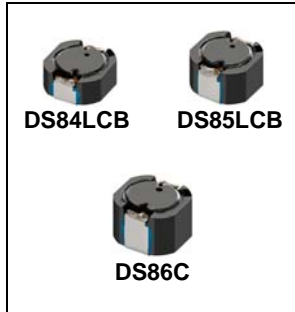


DS84LCB / DS85LCB / DS86C

Inductance Range: 1.0~100 μ H(DS84LCB), 1.0~100 μ H(DS85LCB), 1.3~220 μ H(DS86C)

Recommended patterns
 推奨パターン図

 Note (*) DS84LCB; 4.0mm Max. height
 DS85LCB; 5.0mm Max. height
 DS86C ; 6.8mm Max. height

FEATURES 特長

- 8.4 × 8.3mm Max. square, 4.0, 5.0, and 6.8mm Max. height).
- Magnetically shielded construction and low DC resistance.
- Suitable for large currents.
- RoHS compliant.
- 8.4 × 8.3mm角Max. 高さ4.0, 5.0 および6.8mm Max.)
- 閉磁路構造、低直流抵抗
- 大電流対応
- RoHS指令対応

TOKO STANDARD PART NUMBERS 東光 標準品一覧
TYPE DS84LCB (Quantity/reel; 500 PCS)

東光品番	インダクタンス ⁽¹⁾	許容差	直流抵抗 ⁽²⁾	直流重量許容電流 ⁽³⁾	温度上昇許容電流 ⁽³⁾
TOKO Part Number	Inductance ⁽¹⁾ (μ H)	Tolerance (%)	DC Resistance ⁽²⁾ (m Ω) Max. (Typ.)	Inductance Decrease Current ⁽³⁾ (A) Max. (Typ.) $\frac{\Delta L}{L} = 10\%$	Temperature Rise Current ⁽³⁾ $\Delta T = 40^\circ\text{C}$ (A) Max. (Typ.)
B1134AS-1R0N	1.0	±30	11 (8.9)	8.1 (10.8)	8.0 (9.4)
B1134AS-1R5N	1.5	±30	13 (11)	6.6 (8.8)	6.9 (8.1)
B1134AS-2R2N	2.2	±30	17 (15)	5.6 (7.5)	5.4 (6.4)
B1134AS-2R7N	2.7	±30	19 (16)	4.9 (6.5)	5.3 (6.2)
B1134AS-3R9N	3.9	±30	24 (20)	4.3 (5.8)	4.7 (5.5)
B1134AS-4R7N	4.7	±30	30 (25)	3.9 (5.2)	4.0 (4.7)
B1134AS-6R8N	6.8	±30	43 (36)	3.2 (4.3)	3.3 (3.9)
B1134AS-100M	10	±20	57 (47)	2.8 (3.7)	2.7 (3.1)
B1134AS-150M	15	±20	80 (66)	2.2 (3.0)	2.3 (2.7)
B1134AS-220M	22	±20	120 (100)	1.8 (2.4)	1.8 (2.1)
B1134AS-330M	33	±20	170 (140)	1.5 (2.0)	1.4 (1.7)
B1134AS-470M	47	±20	255 (210)	1.2 (1.6)	1.2 (1.4)
B1134AS-680M	68	±20	340 (285)	1.0 (1.3)	1.0 (1.2)
B1134AS-101M	100	±20	460 (385)	0.83 (1.1)	0.93 (1.0)

continued from previous page 前頁より続く

TOKO STANDARD PART NUMBERS 東光 標準品一覧

TYPE DS85LCB (Quantity/reel; 500 PCS)

東光品番	インダクタンス ⁽¹⁾	許容差	直流抵抗 ⁽²⁾	直流重量許容電流 ⁽³⁾	温度上昇許容電流 ⁽³⁾
TOKO Part Number	Inductance ⁽¹⁾ (μ H)	Tolerance (%)	DC Resistance ⁽²⁾ (m Ω) Max. (Typ.)	Inductance Decrease Current ⁽³⁾ (A) Max. $\frac{\Delta L}{L} = 10\%$ (Typ.)	Temperature Rise Current ⁽³⁾ $\Delta T = 40^\circ\text{C}$ (A) Max. (Typ.)
B1135AS-1R0N	1.0	±30	9.6 (8.0)	7.8 (10.4)	8.5 (10.0)
B1135AS-1R5N	1.5	±30	11 (9.3)	6.3 (8.4)	7.6 (9.0)
B1135AS-2R2N	2.2	±30	13 (11)	5.5 (7.3)	7.3 (8.6)
B1135AS-2R7N	2.7	±30	14 (12)	4.7 (6.3)	6.5 (7.6)
B1135AS-3R6N	3.6	±30	17 (14)	4.2 (5.6)	5.5 (6.5)
B1135AS-4R7N	4.7	±30	21 (17)	3.7 (5.0)	5.1 (6.0)
B1135AS-6R8N	6.8	±30	29 (25)	3.1 (4.1)	4.0 (4.7)
B1135AS-100M	10	±20	45 (38)	2.4 (3.2)	3.3 (3.8)
B1135AS-150M	15	±20	64 (53)	2.0 (2.7)	2.5 (2.9)
B1135AS-220M	22	±20	84 (70)	1.7 (2.3)	2.3 (2.7)
B1135AS-330M	33	±20	110 (90)	1.4 (1.9)	1.9 (2.3)
B1135AS-470M	47	±20	150 (125)	1.2 (1.6)	1.6 (1.9)
B1135AS-680M	68	±20	235 (195)	0.97 (1.3)	1.3 (1.5)
B1135AS-101M	100	±20	330 (275)	0.79 (1.1)	1.1 (1.3)

TYPE DS86C (Quantity/reel; 500 PCS)

東光品番	インダクタンス ⁽¹⁾	許容差	直流抵抗 ⁽²⁾	直流重量許容電流 ⁽³⁾	温度上昇許容電流 ⁽³⁾
TOKO Part Number	Inductance ⁽¹⁾ (μ H)	Tolerance (%)	DC Resistance ⁽²⁾ (m Ω) Max.	Inductance Decrease Current ⁽³⁾ (A) Max. $\frac{\Delta L}{L} = 10\%$	Temperature Rise Current ⁽³⁾ $\Delta T = 40^\circ\text{C}$ (A) Max.
B992AS-1R3N	1.3	±30	14	8.3	6.1
B992AS-2R0N	2.0	±30	15	6.8	6.0
B992AS-2R7N	2.7	±30	17	5.9	5.5
B992AS-3R3N	3.3	±30	21	5.2	4.8
B992AS-4R3N	4.3	±30	22	4.6	4.8
B992AS-5R6N	5.6	±30	26	4.1	4.3
B992AS-6R8N	6.8	±30	28	3.8	4.1
B992AS-8R2N	8.2	±30	30	3.4	3.9
B992AS-100M	10.0	±20	36	2.9	3.6
B992AS-150M	15.0	±20	41	2.6	3.3
B992AS-220M	22.0	±20	74	2.0	2.5
B992AS-330M	33.0	±20	120	1.6	1.9
B992AS-470M	47.0	±20	150	1.4	1.7
B992AS-680M	68.0	±20	210	1.1	1.4
B992AS-101M	100.0	±20	310	0.98	1.1
B992AS-151M	150.0	±20	400	0.75	0.94
B992AS-221M	220.0	±20	560	0.65	0.80

(1) Inductance is measured with a LCR meter 4284A* or equivalent.

Test frequency at 100kHz

(2) DC Resistance is measured with a Digital Multimeter TR6871 (Advantest) or equivalent.

(3) Maximum allowable DC current is that which causes a 10% inductance reduction from the initial value, coil temperature to rise by 40°C, whichever is smaller.
(Reference ambient temperature 20°C)

* Agilent Technologies

(1) インダクタンスはLCRメータ4284A*または同等品により測定する。
測定周波数は100kHz。

(2) 直流抵抗はデジタルマルチメータTR6871(Advantest)または同等品により測定する。

(3) 最大許容電流は、直流重量電流を流した時インダクタンスの値が初期値より10%減少する直流電流値、または直流電流により、コイルの温度が40°C上昇の何れか小さい値。
(周囲温度20°Cを基準とする。)

* Agilent Technologies