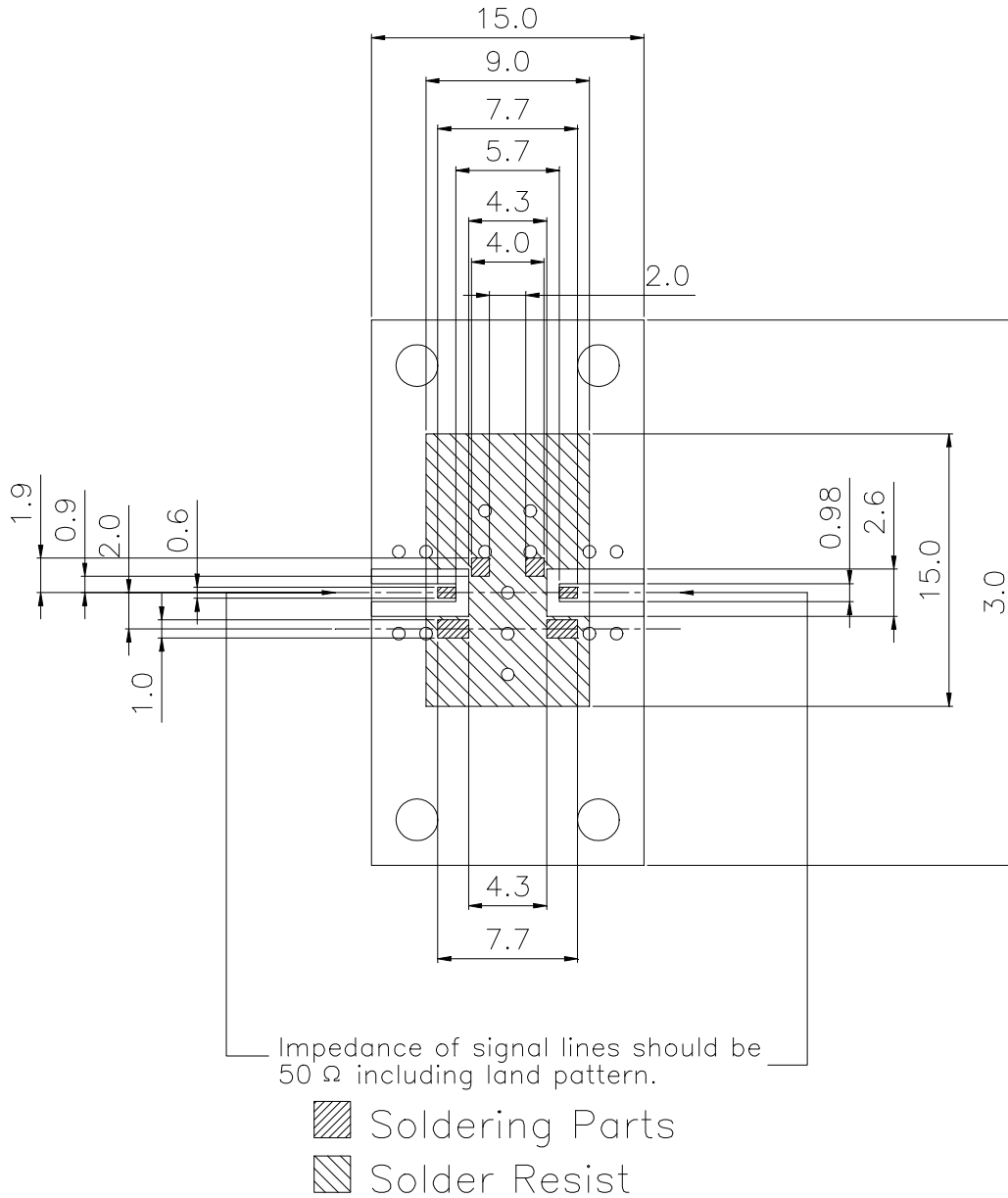


Toko Standard PCB

(Reference only)

Toko P/No. : TDFS1C-3449T-10A



Back plane is all coppered.
All holes are plated-through hole.

Substrate Material:

BT Resin CCL-H870 t=0.4mm.

CCL-H870's typical dielectric constant is 3.6 at 1GHz.