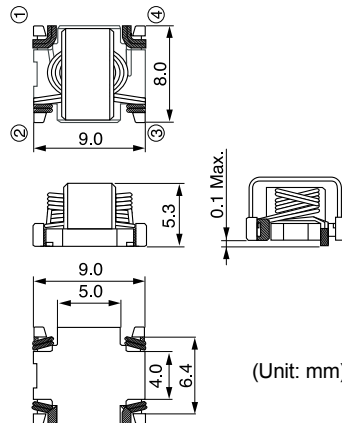
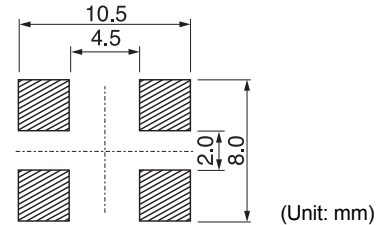


TYPE BH8S



Recommended patterns 推奨パターン



Features

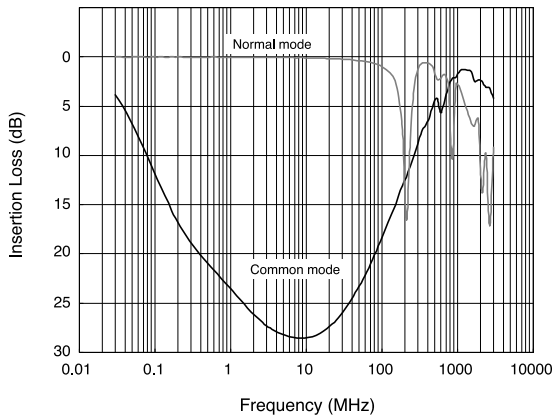
- Most suitable common mode chokes for suppressing AM band radiation noise.
- Rated DC Current 1.5A Max. (1.995A Typ./Δ40°C)
- 2 line
- Operating temperature ; -40°C~+105°C (Including self-temperature rise)
- RoHS compliant

特長

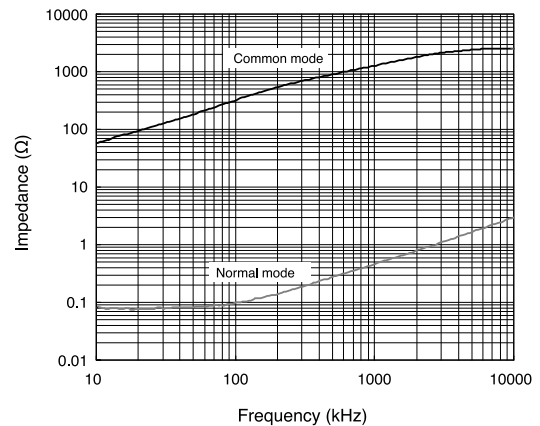
- AM帯域ノイズ抑制用コモンモードチョークに最適
- 直流最大許容電流1.5A Max. (1.995A Typ./Δ40°C)
- 2ライン
- 使用温度範囲 ; -40°C~+105°C (自己発熱を含む)
- RoHS 指令対応

Typical Characteristics 代表特性例

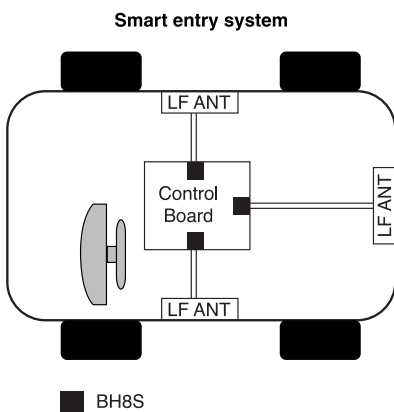
Insertion Loss Characteristics of 1065CM-1002



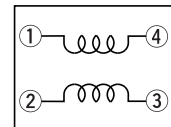
Impedance Characteristics of 1065CM-1002



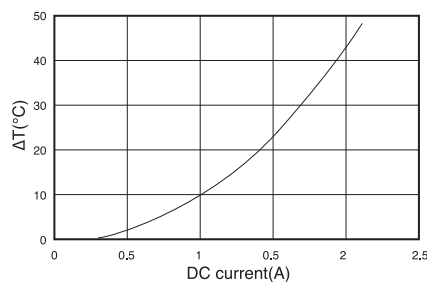
Typical Applications 用途



Pin Connections 接続図



ΔT vs DC (1065CM-1002)



• Rated DC current
1.5A Max.
(1.95A Typ. / Δ40°C)

• Reference only
AC current
 $1.5 \times 2\sqrt{2} = 4.2\text{A}$ peak to peak